

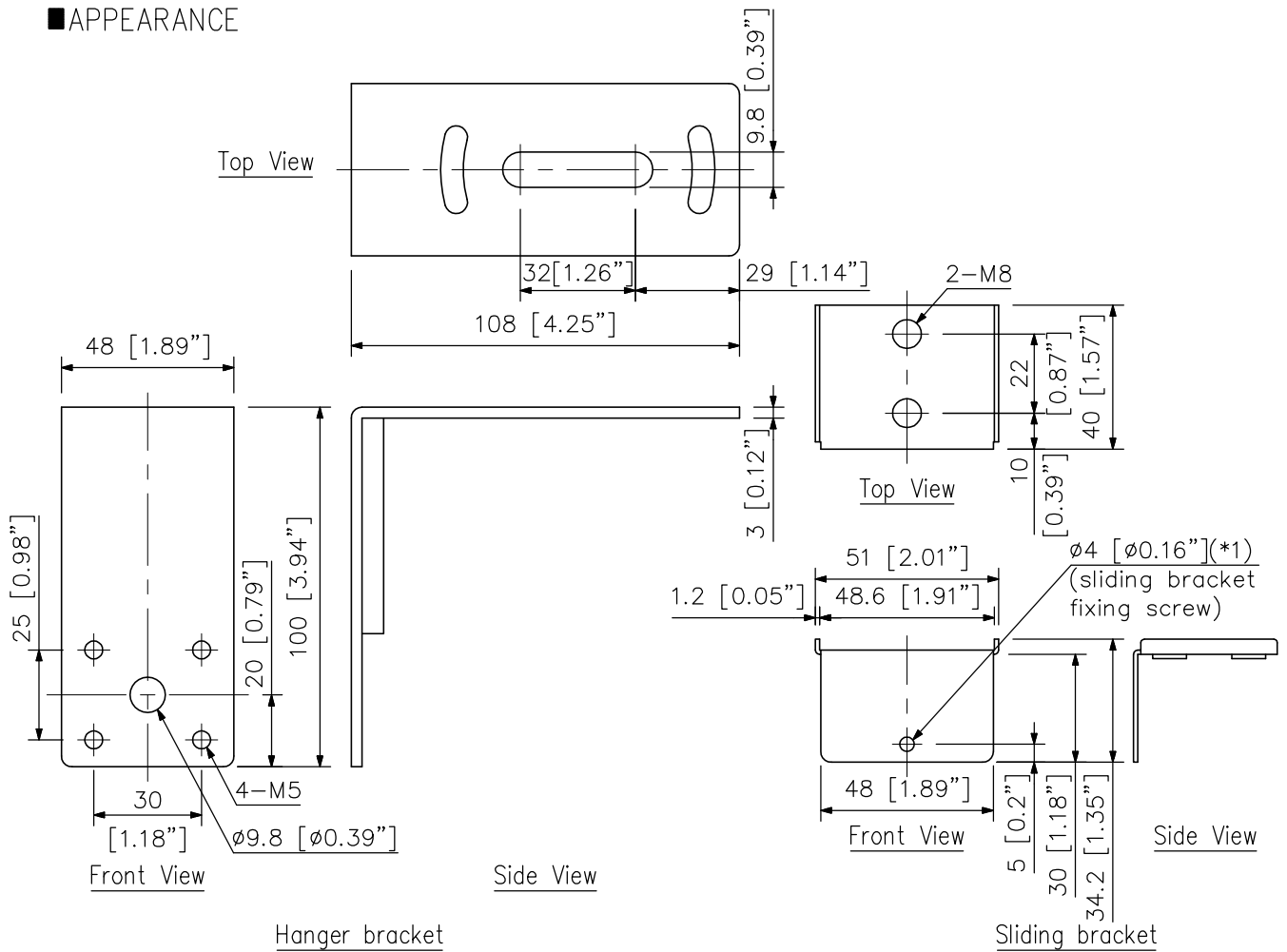
### DESCRIPTION

The HY-BH10B Board Hanger Bracket is used to mount F-1000 Series or F-1300 Series speakers to a temporarily installed partition board.  
The speaker can be installed in either a vertical or horizontal orientation.

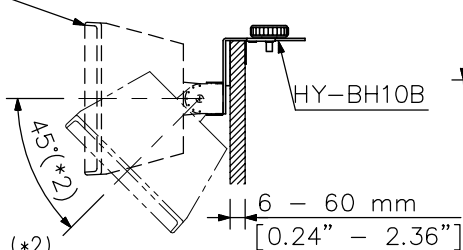
### SPECIFICATIONS

Finish	Steel plate, black, paint
Dimensions	48 (W) × 100 (H) × 108 (D) mm (1.89" × 3.94" × 4.25") (excluding knob bolt)
Weight	210 g (0.46 lb)
Product Composition	Hanger bracket ×1, Sliding bracket ×1, Knob bolt ×1, Plain washer for knob bolt ×1, Speaker mounting bracket (with washer) ×4

### APPEARANCE



F-1000B/W (option)  
or F-1000BT/WT (option)



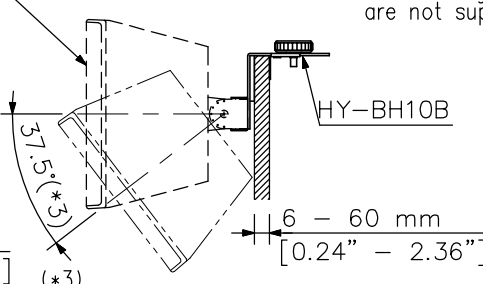
(\*2) Adjust the speaker angle within the downward range of 0° (horizontal) to 45°. The speaker angle is adjustable in 7.5° steps.

F-1000 series speaker mounting example

(scale: 1/10)

UNIT: mm SCALE: 1/2

F-1300B/W (option)  
or F-1300BT/WT (option)

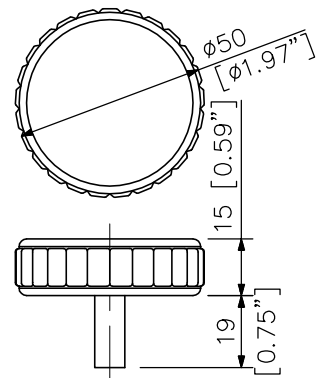


(\*3) Adjust the speaker angle within the downward range of 0° (horizontal) to 37.5°. The speaker angle is adjustable in 7.5° steps.

F-1300 series speaker mounting example

(scale: 1/10)

(\*1) When protection against falls is required: Fix the sliding bracket directly to the partition board using screws. Note that the fixing screws are not supplied.



Knob bolt